

NEW

HRP S'Touch

The high definition printer

IMPROVE YOUR TRS

Our patented "Easy-to-Go" system allows regular rinsing and ensures consistent quality printing results.

The S'touch concept has been simplified for minimum maintenance.

DECREASE YOUR TOTAL OPERATING COSTS

The S'Touch offers very low operating costs thanks to our maintenance contracts, supply of consummables. We guarantee that the Total Cost of Ownership is the lowest on the market.

CHOOSE OUR LEASING OPTIONS

Anticipate the wear and tear of your printers, new norms and laws, and even the advent of new technology. Let us manage the maintenance and servicing of your printers

RESEARCH & DEVELOPMENT

Each year, TIFLEX invests 3% of its turnover in research and development, so as to pursue the development of products which are ever-more innovative and eco-friendly.



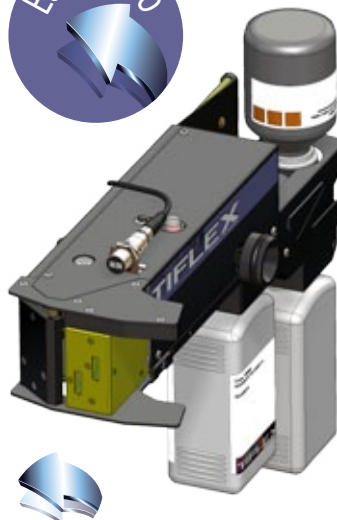
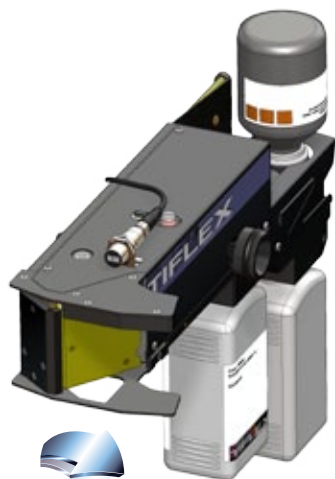
For non porous printing material
(glossy or varnished carboards, metal,...)



Reliable



Economical



The HRP S'Touch is equipped with the unique patented « Easy to Go » system. The printhead is rinsed out after use. This ensures permanent cleaning and easy start up after a prolonged break in production

Tiflex has developed the **HRP S'Touch** for all your high definition printing needs, text, logos, barcodes (GS1 128, datamatrix, QR codes, ...) on non-porous printing material (glossy or varnished paper and cardboard). A special quick drying ink developed by Tiflex is used with this printer. The standard printing size is 34mm, with a speed of 60 m/minute.

TIFLEX
marquer le monde



ACCESSORIES FOR COMPLETE TRACEABILITY

Along with the HRP Printer they will ensure traceability for all your secondary packaging

SHAFT ENCODER

It measures the speed of your conveyor belt and is linked to your printer – thus ensuring synchronised printing of your barcodes

ONLINE BARCODE SCANNER

Ensures that 100% of the printed barcodes are clearly printed.

MICROMETRIC STAND

Your machine installation is finely adjustable

OTHER AVAILABLE ACCESSORIES

Visual and sound alarm – used for indicating any problems on the line

HANDHELD BARCODE SCANNER

Allows manual re-reading of barcodes or sending / selecting messages for your printer



We have a range of solutions with printers which can be totally integrated into your pre-existing production lines, and which will fit your requirements perfectly.

We can also develop and customise software applications for your network.

CONTACT :

TIFLEX

CS 30200 - 01450 PONCIN France

Tel : +33 (0)4 74 37 33 80/97

Fax : +33 (0)4 74 37 33 62

international@tiflex.fr



Scan this code and discover our website!

www.tiflex.com/solutions-gb-mic.html

Technical specifications

SYSTEM CONFIGURATION	Processor 533 MHz – RAM 128 Mo Tachometer - internal or external 3m cable between mainframe and printhead
PRINT HEAD INK SYSTEM	Printing size : up to 34 mm Vertical definition : 185 dpi Horizontal definition between 50 and 200 dpi Manual purge 1 sensor Distance printhead - object : 1 mm Printing speed : 60m/min Text : Printing length of 50 cm at 200 dpi - Rotation 90°, 180°, 270°
USER INTERFACE	1 sensor 6.4" Touch screen Integrated message editor Messages with fixed values, timestamps, meters, team codes, logos/graphic Barcodes : EAN-8, EAN-13, UPC-A, Code-128, GS1-128, 2D Code Datamatrix Importing & exporting messages, graphic and font : memory stick, Ethernet UNICODE compatible : Arabic, Cyrillic, Greek ... User storage space : 30,000 messages
CONSUMABLES	Ink Porous and non-porous printing material Quick drying ink developed by Tiflex, 125 ml bottles
SOCKETS AND NETWORK CONNECTIONS	Serial link RS-232, Ethernet network 4 parameterizable alarm outlets 24 V / 50 mA 2 DDC logic inputs for printer (STOP/START/ERROR)
ENVIRONMENT	Mains plug : 85 - 264 V AC - 50 - 60 Hz CEM and safety Certification Functioning temperatures : 10°C - 45°C



The draining system guaranties consistent printing quality.



The micrometrics settings ensure that the printer is perfectly integrated.

